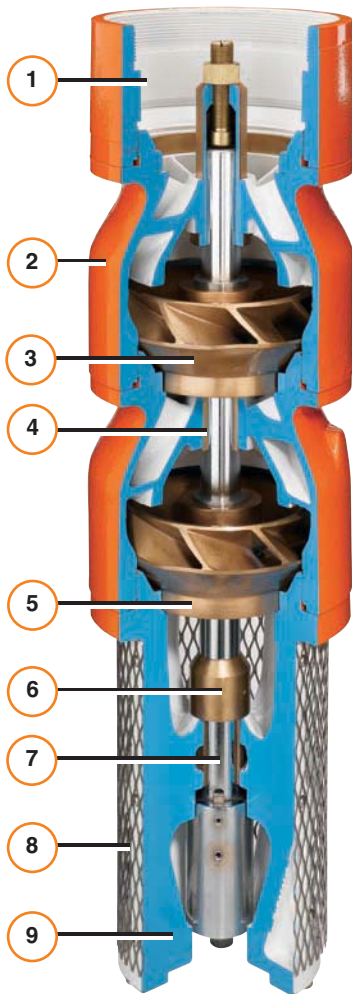


10.25" Diameter



**BERKELEY 10T SERIES PUMPS** are proven performers for a wide range of municipal and agricultural applications. Pumps features Epoxy Coated Bowls, Bronze Impellers and Bearings to provide efficiencies in the 80% Plus range. Five 10T series models assure the right pump for your particular installation.

FEATURES / BENEFITS

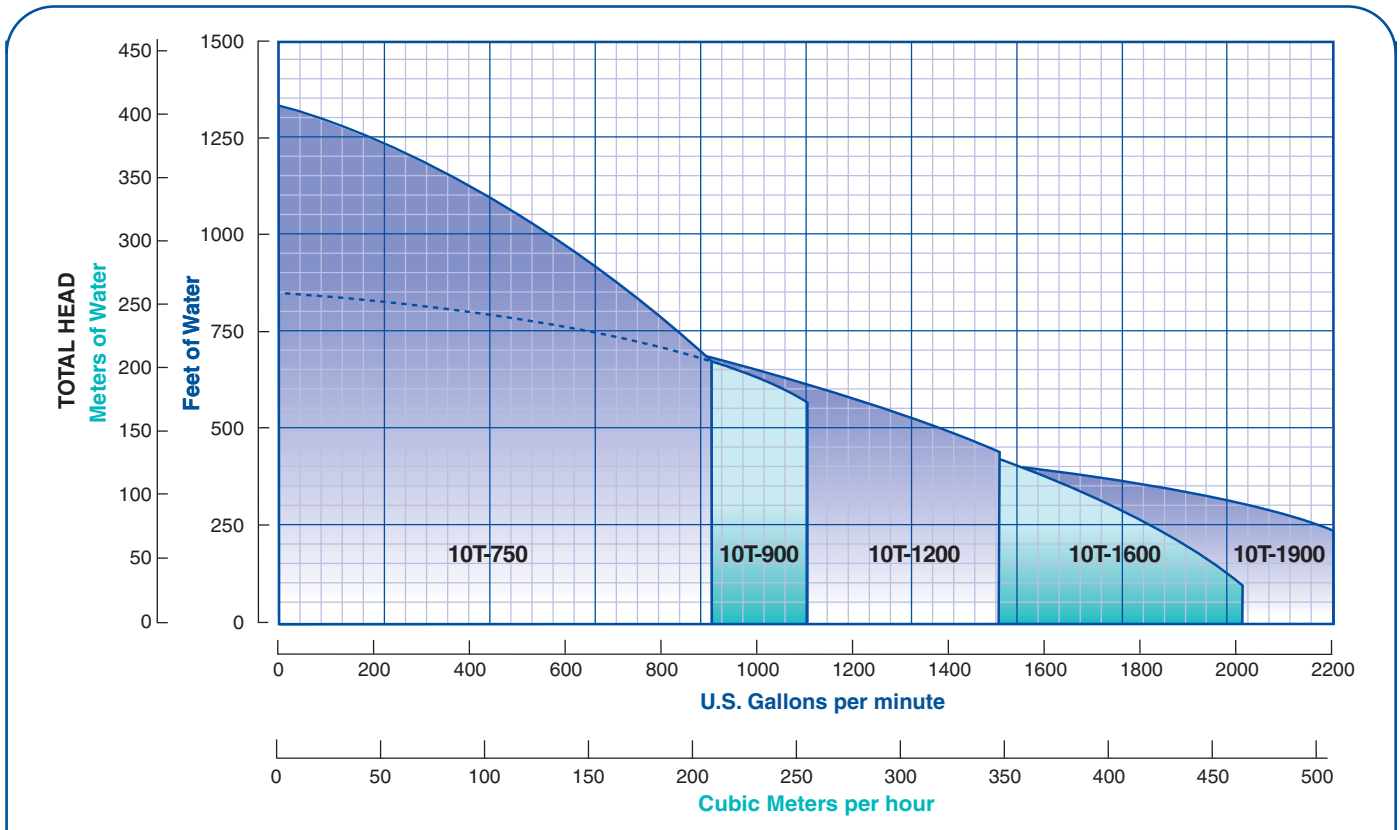
- 1 Heavy-Duty Discharge Adapter** is Class 30 Cast Iron and includes a bronze top bearing and stainless steel journal. Threaded discharge is sized for the pump's flow range. Factory-set thrust screw, retained by a stainless steel lockout, provides maximum upthrust protection.
- 2 Heavy-Walled Class 30 Cast Iron Bowls** incorporate precise hydraulic design for maximum efficiency and performance. Positive "Bowl Lock" feature eliminates risk of bowl loosening.
- 3 Bronze Impeller** are designed and machined to optimize efficiency and performance.
- 4 Bronze Bearings** maintain positive shaft alignment, minimizing sand penetration and wear.
- 5 Wear Rings** enable pumps to be re-built to maintain original factory performance.
- 6 Non-Corrosive Sand Cap** protects bronze suction bracket bearing and stainless steel bearing journal.
- 7 416 Stainless Steel Pump Shaft** is precision ground and polished for reduced running friction and increased service life.
- 8 Heavy-Duty Cast Iron Suction Strainer** is non-collapsible and corrosion-resistant.
- 9 Heavy-Duty Cast Iron Suction Bracket** assures perfect pump-to-motor alignment with NEMA standard motors.
- 10 Low Profile, Full-Length Stainless Steel Cable Guard (not shown)** protects motor leads.



MATERIALS OF CONSTRUCTION

Part Name	Material	Spec Number
Discharge Adapter	Cast Iron	ASTM A48 Class 30
Top Bowl*	Cast Iron	ASTM A48 Class 30
Intermediate Bowl*	Cast Iron	ASTM A48 Class 30
Bearings, Top and Suction Case	Bronze	ASTM B144-3B (SAE 660)
Impeller	Bronze	ASTM B584 UNS C83600
Pump Shaft	Stainless Steel	AISI 416
Impeller Collets	Steel	AISI 1215
Suction Bracket	Cast Iron	ASTM A48 Class 30
Bowl Bearing	Bronze	ASTM B505 C93200
Sand Cap	Bronze	ASTM B144-3B (SAE 660)
Strainer	Stainless Steel	AISI 302 UNS S30200
Cable Guard	Stainless Steel	AISI 302 UNS S30200
Shaft Coupling	Stainless Steel	AISI 416 UNS S41600
Wear Ring	Bronze	B505 C93200

\*Note: 10" Threaded Bowls and Thremec Porta-Pox N140 Epoxy Coated



**Pentair  
Water™**

**Pentair Water**  
 293 Wright Street  
 Delavan, WI 53115  
 Phone: 262-728-5551  
 Fax: (800) 426-9446  
[www.pentairwater.com](http://www.pentairwater.com)

**PENTAIR SOLUTIONS**

- BERKELEY 6" – 10" highly efficient pump designs, to 2200 GPM, to 1400 ft.
- PENTEK 6" and 8" motors and controls offering leading edge technology.
- PENTEK pump controllers for maximizing pump functionality.
- BEC2 powerful application software @ [www.bec2.net](http://www.bec2.net) unparalleled in the industry.
- Highly-trained customer service staff providing quick solutions at 1-888-BERKELEY.
- 2-year extended warranty program when BERKELEY pump is installed with a PENTEK motor.