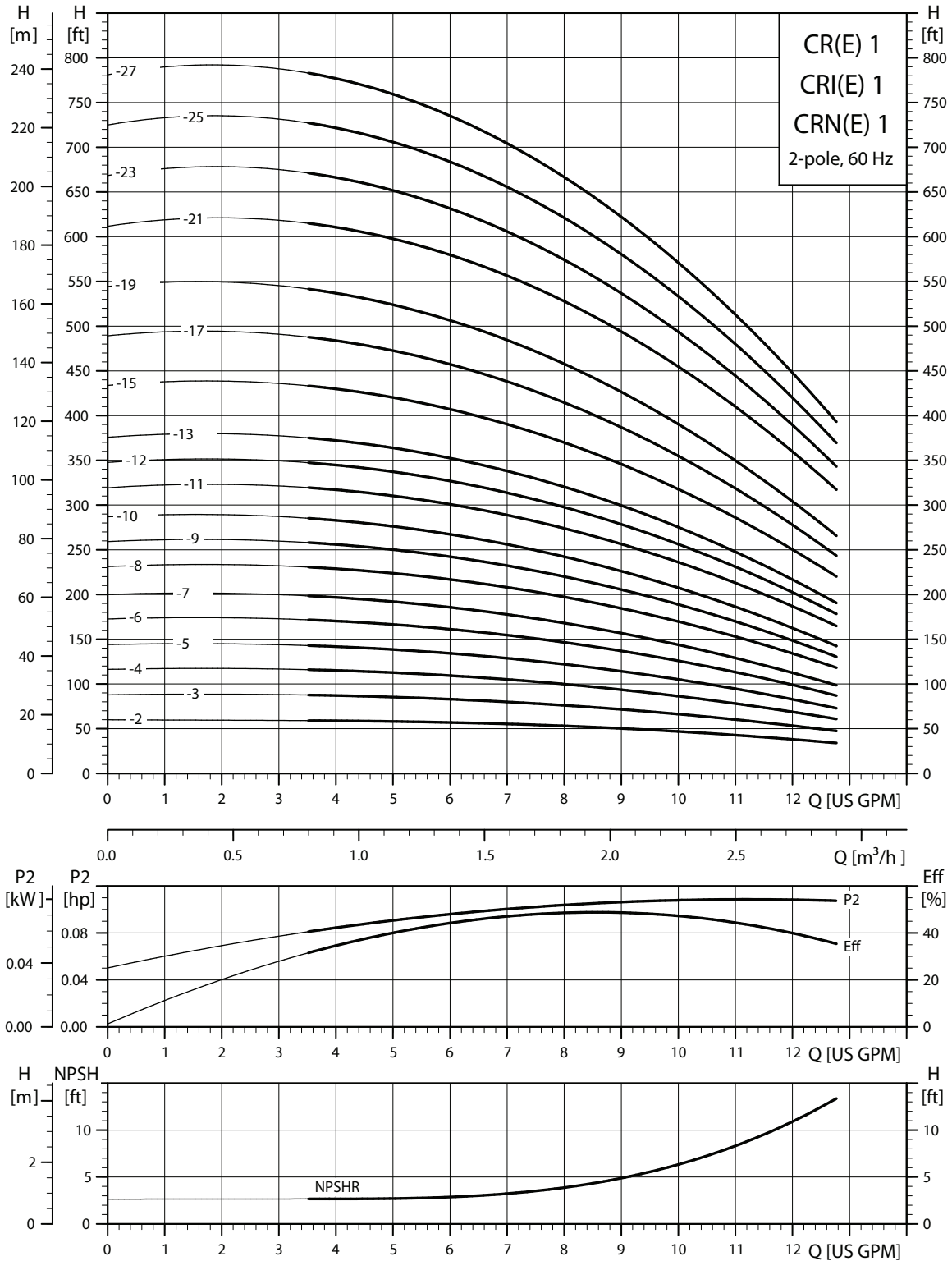
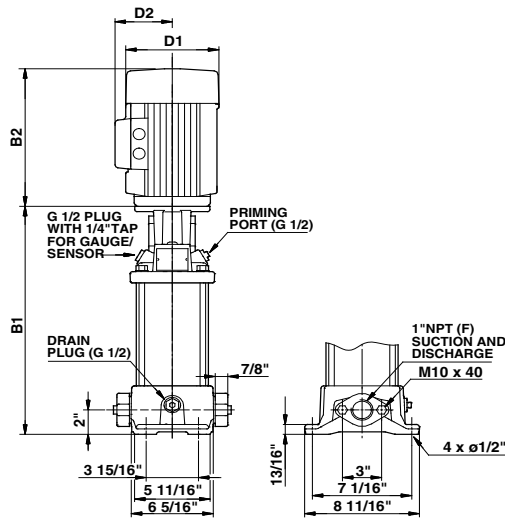


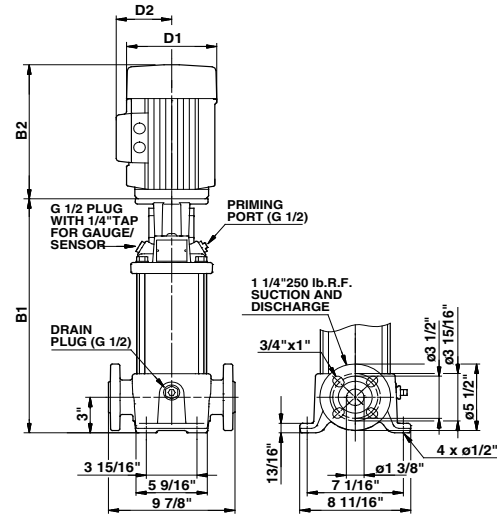
## CR(E), CRI(E), CRN(E) 1



TM02 4083 1303



TM03 1450 2205



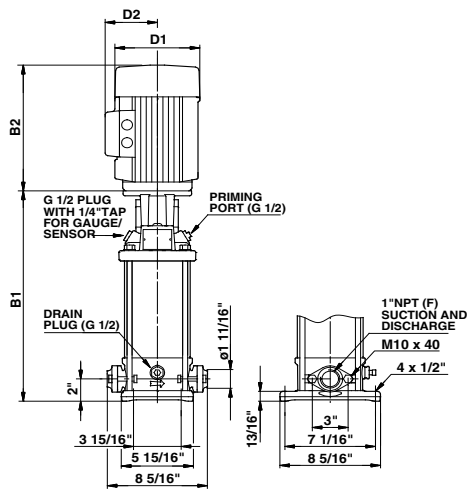
TM03 1451 2205

Pump type	P2 [hp]	Ph.	Oval*	ANSI dimensions [inch]				Ship Wt. [lbs.]	ANSI dimensions [inch]			
				B1	TEFC				MLE			Ship Wt. [lbs.]
					D1	D2	B1+B2		D1	D2	B1+B2	
CR 1-2	1/3	1	•	11.97	6.19	5.18	21.26	69	-	-	-	-
		3	•	11.97	5.55	4.57	19.41	67	-	-	-	-
CR 1-3	1/3	1	•	11.97	6.19	5.18	21.26	69	-	-	-	-
		3	•	11.97	5.55	4.57	19.41	67	-	-	-	-
CR(E) 1-4	1/2	1	•	12.68	6.19	5.18	21.97	73	5.55	5.51	20.10	71
		3	•	12.68	5.55	4.57	20.12	68	-	-	-	-
CR 1-5	1/2	1	•	13.39	6.19	5.18	22.68	75	-	-	-	-
		3	•	13.39	5.55	4.57	20.83	69	-	-	-	-
CR(E) 1-6	3/4	1	•	14.09	6.19	5.18	24.00	80	5.55	5.51	21.51	74
		3	•	14.09	5.55	4.57	21.53	71	-	-	-	-
CR 1-7	3/4	1	•	14.80	6.19	5.18	24.71	81	-	-	-	-
		3	•	14.80	5.55	4.57	22.24	72	-	-	-	-
CR 1-8	1	1	•	15.51	7.19	5.73	26.70	93	-	-	-	-
		3	•	15.51	5.55	4.57	22.95	72	-	-	-	-
CR(E) 1-9	1	1	•	16.22	7.19	5.73	27.41	94	5.55	5.51	25.20	79
		3	•	16.22	5.55	4.57	23.66	74	7.01	6.57	29.02	96
CR(E) 1-10	1 1/2	1	•	16.93	7.19	5.73	28.61	95	-	-	-	-
		3	•	16.93	5.55	4.57	25.55	74	7.01	6.57	29.73	99
CR 1-11	1 1/2	1	•	17.64	7.19	5.73	29.32	102	-	-	-	-
		3	•	17.64	5.55	4.57	26.26	76	-	-	-	-
CR 1-12	1 1/2	1	•	18.35	7.19	5.73	30.03	103	-	-	-	-
		3	•	18.35	5.55	4.57	26.97	77	-	-	-	-
CR(E) 1-13	1 1/2	1	•	19.06	7.19	5.73	30.74	104	5.55	5.51	28.04	86
		3	•	19.06	5.55	4.57	27.68	78	7.01	6.57	31.86	102
CR(E) 1-15	2	1	•	20.47	7.19	5.73	33.03	114	-	-	-	-
		3	•	20.47	7.01	4.33	31.69	104	7.01	6.57	33.27	117
CR(E) 1-17	2	1	•	21.89	7.19	5.73	34.45	116	-	-	-	-
		3	•	21.89	7.01	4.33	33.11	106	7.01	6.57	34.69	119
CR 1-19	3	1	-	24.41	8.60	6.87	39.06	155	-	-	-	-
		3	-	24.41	7.01	4.33	37.64	123	-	-	-	-
CR 1-21	3	1	-	25.83	8.60	6.87	40.48	158	-	-	-	-
		3	-	25.83	7.01	4.33	39.06	125	-	-	-	-
CR(E) 1-23	3	1	-	27.24	8.60	6.87	41.89	159	-	-	-	-
		3	-	27.24	7.01	4.33	40.47	130	7.01	6.57	40.55	139
CR 1-25	3	1	-	28.66	8.60	6.87	43.31	161	-	-	-	-
		3	-	28.66	7.01	4.33	41.89	132	-	-	-	-
CR(E) 1-27	3	1	-	30.08	8.60	6.87	44.73	163	-	-	-	-
		3	-	30.08	7.01	4.33	43.31	134	7.01	6.57	43.39	142

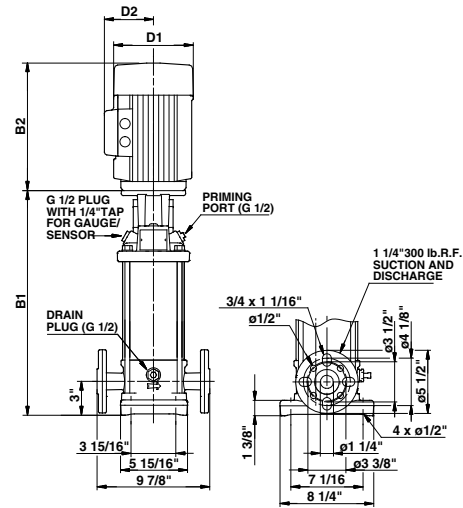
All dimensions in inches unless otherwise noted.

\*Oval flanged pump B1 and B1+B2 dimension is one inch less than ANSI flanged pump and weight is approximately 9 lbs. less.

• Available.



TM03 1450 2205



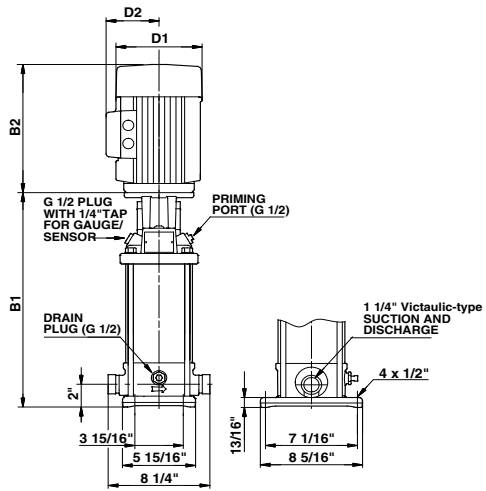
TM03 1451 2205.

Pump type	P2 [hp]	Ph.	Oval*	ANSI dimensions [inch]				Ship Wt. [lbs.]	ANSI dimensions [inch]			Ship Wt. [lbs.]
				B1	TEFC				MLE			
					D1	D2	B1+B2		D1	D2	B1+B2	
CRI 1-2	1/3	1	•	12.09	6.19	5.18	21.38	64	-	-	-	-
		3	•	12.09	5.55	4.57	19.53	62	-	-	-	-
CRI 1-3	1/3	1	•	12.09	6.19	5.18	21.38	64	-	-	-	-
		3	•	12.09	5.55	4.57	19.53	62	-	-	-	-
CRI(E) 1-4	1/2	1	•	12.8	6.19	5.18	22.09	68	5.55	5.51	20.22	65
		3	•	12.8	5.55	4.57	20.24	63	-	-	-	-
CRI 1-5	1/2	1	•	13.5	6.19	5.18	22.79	69	-	-	-	-
		3	•	13.5	5.55	4.57	20.94	64	-	-	-	-
CRI(E) 1-6	3/4	1	•	14.21	6.19	5.18	24.12	74	5.55	5.51	21.63	68
		3	•	14.21	5.55	4.57	21.65	65	-	-	-	-
CRI 1-7	3/4	1	•	14.92	6.19	5.18	24.83	75	-	-	-	-
		3	•	14.92	5.55	4.57	22.36	66	-	-	-	-
CRI 1-8	1	1	•	15.63	7.19	5.73	26.82	88	-	-	-	-
		3	•	15.63	5.55	4.57	23.07	67	-	-	-	-
CRI(E) 1-9	1	1	•	16.34	7.19	5.73	27.53	89	5.55	5.51	25.32	73
		3	•	16.34	5.55	4.57	23.78	68	7.01	6.57	29.14	90
CRI(E) 1-10	1 1/2	1	•	17.05	7.19	5.73	28.73	90	-	-	-	-
		3	•	17.05	5.55	4.57	25.67	69	7.01	6.57	29.85	92
CRI 1-11	1 1/2	1	•	17.76	7.19	5.73	29.44	97	-	-	-	-
		3	•	17.76	5.55	4.57	26.38	70	-	-	-	-
CRI 1-12	1 1/2	1	•	18.46	7.19	5.73	30.14	98	-	-	-	-
		3	•	18.46	5.55	4.57	27.08	71	-	-	-	-
CRI(E) 1-13	1 1/2	1	•	19.17	7.19	5.73	30.85	99	5.55	5.51	28.15	80
		3	•	19.17	5.55	4.57	27.79	72	7.01	6.57	31.97	97
CRI(E) 1-15	2	1	•	20.59	7.19	5.73	33.15	109	-	-	-	-
		3	•	20.59	7.01	4.33	31.81	99	7.01	6.57	33.39	112
CRI(E) 1-17	2	1	•	22.01	7.19	5.73	34.57	110	-	-	-	-
		3	•	22.01	7.01	4.33	33.23	101	7.01	6.57	34.81	113
CRI 1-19	3	1	-	24.53	8.60	6.87	39.18	148	-	-	-	-
		3	-	24.53	7.01	4.33	37.76	116	-	-	-	-
CRI 1-21	3	1	-	25.94	8.60	6.87	40.59	150	-	-	-	-
		3	-	25.94	7.01	4.33	39.17	118	-	-	-	-
CRI(E) 1-23	3	1	-	27.36	8.60	6.87	42.01	152	-	-	-	-
		3	-	27.36	7.01	4.33	40.59	123	7.01	6.57	40.67	131
CRI 1-25	3	1	-	28.78	8.60	6.87	43.43	154	-	-	-	-
		3	-	28.78	7.01	4.33	42.01	125	-	-	-	-
CRI(E) 1-27	3	1	-	30.20	8.60	6.87	44.85	156	-	-	-	-
		3	-	30.20	7.01	4.33	43.43	127	7.01	6.57	43.51	135

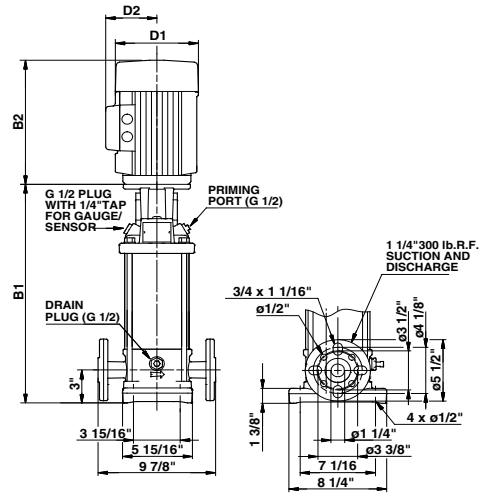
All dimensions in inches unless otherwise noted.

\*Oval flanged pump B1 and B1+B2 dimension is one inch less than ANSI flanged pump and weight is approximately 9 lbs. less.

• Available.



TM03 1454 2205



TM03 1453 2205

Pump type	P2 [hp]	Ph.	PJE*	ANSI dimensions [inch]				Ship Wt. [lbs.]	ANSI dimensions [inch]			
				B1	TEFC				MLE			Ship Wt. [lbs.]
					D1	D2	B1+B2		D1	D2	B1+B2	
CRN 1-2	1/3	1	•	12.09	6.19	5.18	21.38	64	-	-	-	-
		3	•	12.09	5.55	4.57	19.53	62	-	-	-	-
CRN 1-3	1/3	1	•	12.09	6.19	5.18	21.38	64	-	-	-	-
		3	•	12.09	5.55	4.57	19.53	62	-	-	-	-
CRN(E) 1-4	1/2	1	•	12.80	6.19	5.18	22.09	68	5.55	5.51	20.22	65
		3	•	12.80	5.55	4.57	20.24	63	-	-	-	-
CRN 1-5	1/2	1	•	13.50	6.19	5.18	22.79	69	-	-	-	-
		3	•	13.50	5.55	4.57	20.94	64	-	-	-	-
CRN(E) 1-6	3/4	1	•	14.21	6.19	5.18	24.12	74	5.55	5.51	21.63	68
		3	•	14.21	5.55	4.57	21.65	65	-	-	-	-
CRN 1-7	3/4	1	•	14.92	6.19	5.18	24.83	75	-	-	-	-
		3	•	14.92	5.55	4.57	22.36	66	-	-	-	-
CRN 1-8	1	1	•	15.63	7.19	5.73	26.82	88	-	-	-	-
		3	•	15.63	5.55	4.57	23.07	67	-	-	-	-
CRN(E) 1-9	1	1	•	16.34	7.19	5.73	27.53	89	5.55	5.51	25.32	73
		3	•	16.34	5.55	4.57	23.78	68	7.01	6.57	29.14	90
CRN(E) 1-10	1 1/2	1	•	17.05	7.19	5.73	28.73	90	-	-	-	-
		3	•	17.05	5.55	4.57	25.67	69	7.01	6.57	29.85	92
CRN 1-11	1 1/2	1	•	17.76	7.19	5.73	29.44	97	-	-	-	-
		3	•	17.76	5.55	4.57	26.38	70	-	-	-	-
CRN 1-12	1 1/2	1	•	18.46	7.19	5.73	30.14	98	-	-	-	-
		3	•	18.46	5.55	4.57	27.08	71	-	-	-	-
CRN(E) 1-13	1 1/2	1	•	19.17	7.19	5.73	30.85	99	5.55	5.51	28.15	80
		3	•	19.17	5.55	4.57	27.79	72	7.01	6.57	31.97	97
CRN(E) 1-15	2	1	•	20.59	7.19	5.73	33.15	108	-	-	-	-
		3	•	20.59	7.01	4.33	31.81	99	7.01	6.57	33.39	112
CRN(E) 1-17	2	1	•	22.01	7.19	5.73	34.57	110	-	-	-	-
		3	•	22.01	7.01	4.33	33.23	101	7.01	6.57	34.81	113
CRN 1-19	3	1	•	23.43	8.60	6.87	38.08	148	-	-	-	-
		3	•	23.43	7.01	4.33	36.66	116	-	-	-	-
CRN 1-21	3	1	•	25.94	8.60	6.87	40.59	150	-	-	-	-
		3	•	25.94	7.01	4.33	39.17	118	-	-	-	-
CRN(E) 1-23	3	1	•	27.36	8.60	6.87	42.01	152	-	-	-	-
		3	•	27.36	7.01	4.33	40.59	123	7.01	6.57	40.67	131
CRN 1-25	3	1	•	28.78	8.60	6.87	43.43	154	-	-	-	-
		3	•	28.78	7.01	4.33	42.01	124	-	-	-	-
CRN(E) 1-27	3	1	•	30.20	8.60	6.87	44.85	155	-	-	-	-
		3	•	30.20	7.01	4.33	43.43	126	7.01	6.57	43.51	135

All dimensions in inches unless otherwise noted.

\*PJE flanged pump B1 and B1+B2 dimension is one inch less than ANSI flanged pump and weight is approximately 9 lbs. less.

• Available