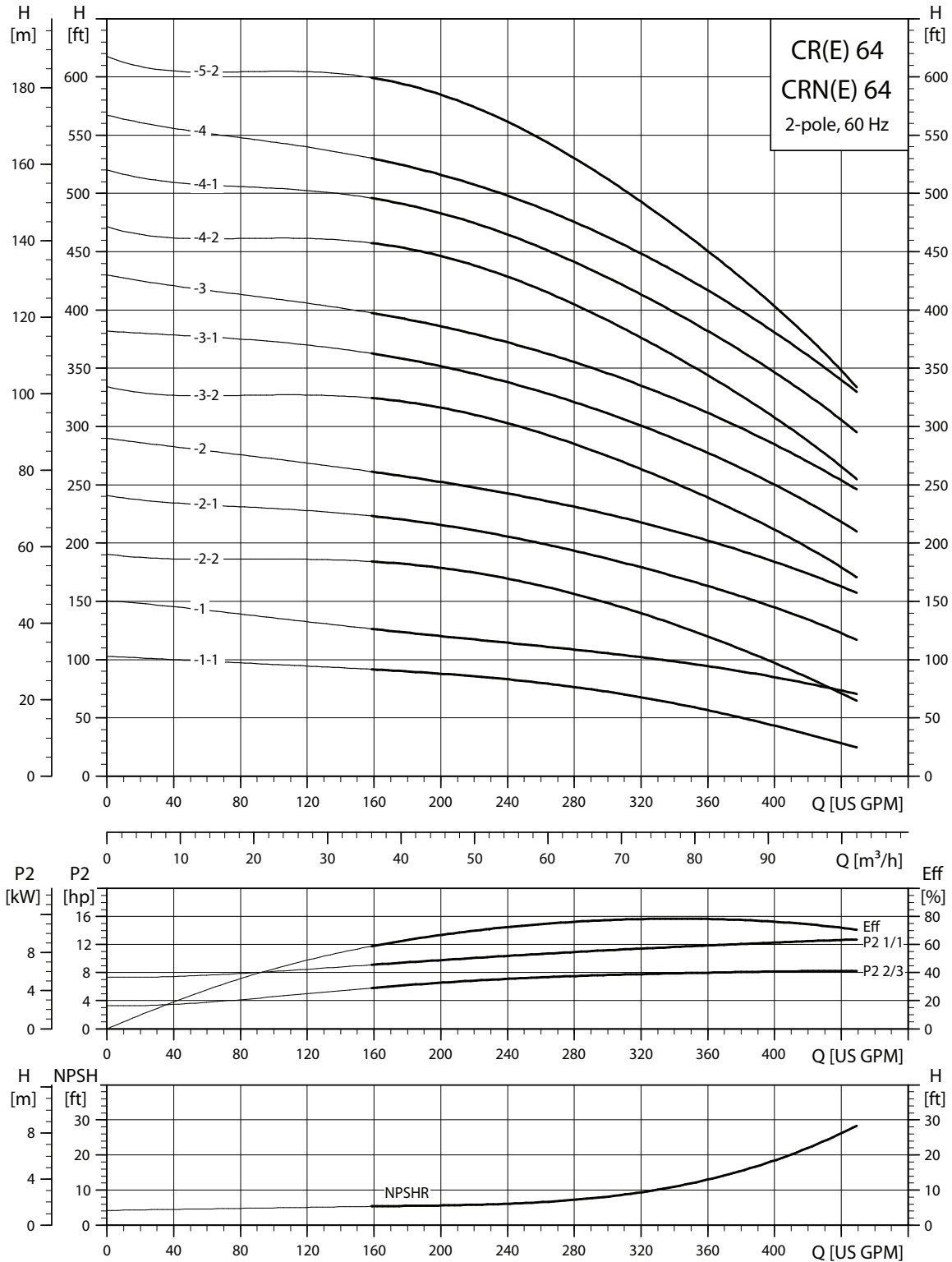
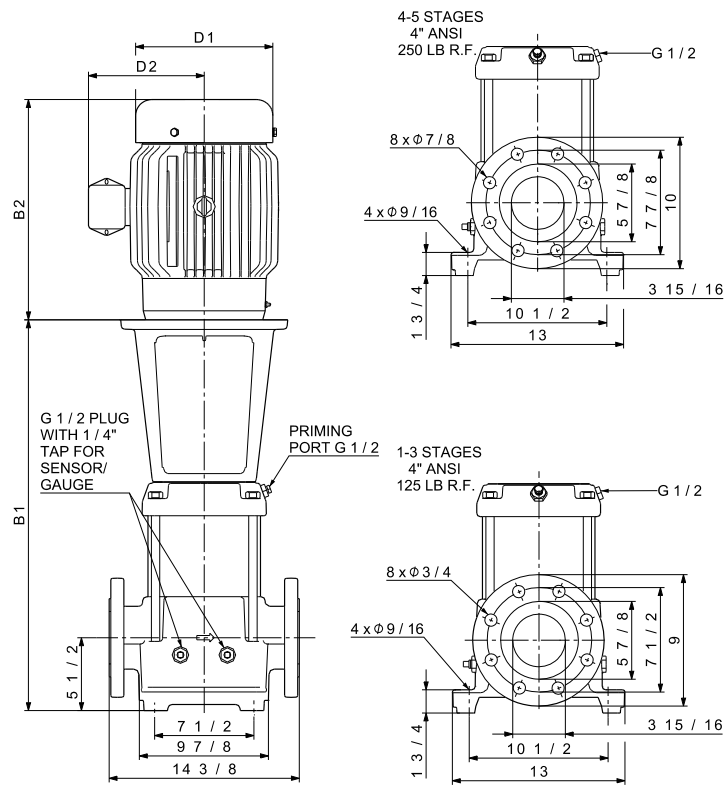


CR(E), CRN(E) 64



TM02 0041 3804

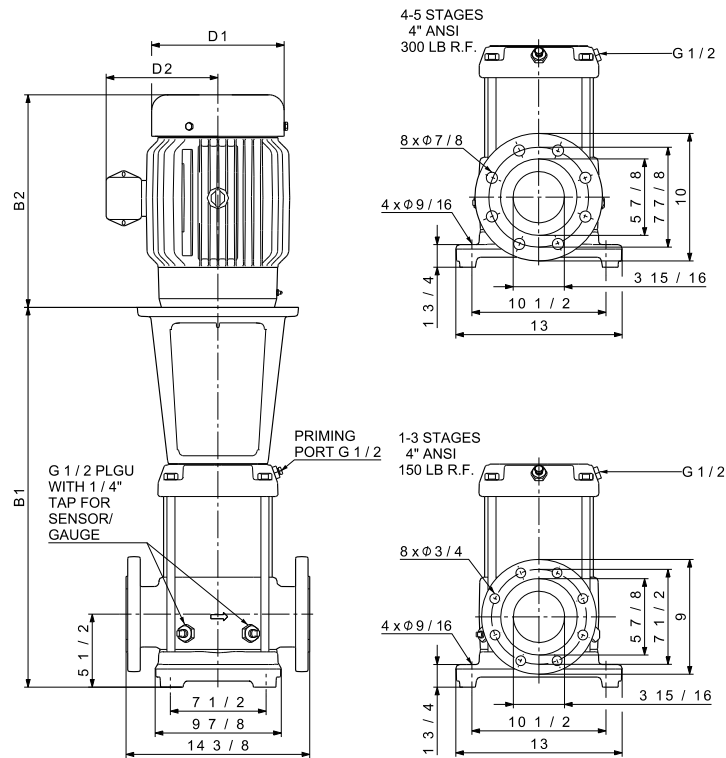


TM02 7701 1009

Pump type	P2 [hp]	Ph.	Dimensions [inch]							Ship Wt. [lbs.]	Dimensions [inch]			Ship Wt. [lbs.]
			B1	TEFC			ODP				MLE			
				D1	D2	B1+B2	D1	D2	B1+B2		D1	D2	B1+B2	
CR(E) 64-1-1	10	1	22.09	10.23	10.30	38.16	-	-	-	268	-	-	-	-
		3	22.09	8.66	5.28	37.60	-	-	-	252	10.24	8.39	37.01	274
CR(E) 64-1	15	3	26.42	10.22	8.67	43.00	10.62	7.33	42.73	377	13.39	12.13	45.20	533
CR 64-2-2	20	3	29.69	10.22	8.67	46.27	11.50	8.92	49.38	392	-	-	-	-
CR(E) 64-2-1	20	3	29.69	10.22	8.67	46.27	11.50	8.92	49.38	392	13.39	12.13	48.47	564
CR(E) 64-2	25	3	29.69	12.94	11.52	49.51	11.50	8.94	50.50	438	13.39	12.13	52.41	593
CR(E) 64-3-2	30	3	32.91	15.32	13.11	56.10	11.50	8.94	54.72	609	13.39	12.13	55.63	664
CR 64-3-1	40	3	32.91	15.32	13.11	56.10	13.25	12.21	56.16	624	-	-	-	-
CR 64-3	40	3	32.91	15.32	13.11	56.10	13.25	12.21	56.16	624	-	-	-	-
CR 64-4-2	40	3	36.18	15.32	13.11	59.37	13.25	12.21	59.43	624	-	-	-	-
CR 64-4-1	50	3	36.18	16.88	14.12	63.99	13.25	12.21	58.93	676	-	-	-	-
CR 64-4	50	3	36.18	16.88	14.12	63.99	13.25	12.21	58.93	676	-	-	-	-
CR 64-5-2	60	3	39.41	19.00	14.90	70.20	15.12	13.19	65.54	866	-	-	-	-

¹⁾ Weights are based on pump with TEFC motor (see price list for individual weights)
All dimensions in inches unless otherwise noted.

Dimensional sketches



TM02 7705 1009

Dimensions and weights

Pump type	P2 [hp]	Ph.	ANSI dimensions [inch]							Ship Wt. [lbs.]	ANSI dimensions [inch]			Ship Wt. [lbs.]
			B1	TEFC			ODP				MLE			
				D1	D2	B1+B2	D1	D2	B1+B2		D1	D2	B1+B2	
CRN(E) 64-1-1	10	1	22.09	10.23	10.30	38.16	-	-	-	269	-	-	-	-
		3	22.09	8.66	5.28	37.60	-	-	-	253	10.24	8.39	37.01	275
CRN(E) 64-1	15	3	26.42	10.22	8.67	43.00	10.62	7.33	42.73	378	13.39	12.13	45.20	535
CRN 64-2-2	20	3	29.69	10.22	8.67	46.27	11.50	8.92	49.38	393	-	-	-	-
CRN(E) 64-2-1	20	3	29.69	10.22	8.67	46.27	11.50	8.92	49.38	393	13.39	12.13	48.47	566
CRN(E) 64-2	25	3	29.69	12.94	11.52	49.51	11.50	8.94	50.50	440	13.39	12.13	52.41	595
CRN(E) 64-3-2	30	3	32.91	15.32	13.11	56.10	11.50	8.94	54.72	611	13.39	12.13	55.63	666
CRN 64-3-1	40	3	32.91	15.32	13.11	56.10	13.25	12.21	56.16	625	-	-	-	-
CRN 64-3	40	3	32.91	15.32	13.11	56.10	13.25	12.21	56.16	625	-	-	-	-
CRN 64-4-2	40	3	36.18	15.32	13.11	59.37	13.25	12.21	59.43	625	-	-	-	-
CRN 64-4-1	50	3	36.18	16.88	14.12	63.99	13.25	12.21	58.93	678	-	-	-	-
CRN 64-4	50	3	36.18	16.88	14.12	63.99	13.25	12.21	58.93	678	-	-	-	-
CRN 64-5-2	60	3	39.41	19.00	14.90	70.20	15.12	13.19	65.54	868	-	-	-	-

¹⁾ Weights are based on pump with TEFC motor (see price list for individual weights)
All dimensions in inches unless otherwise noted.