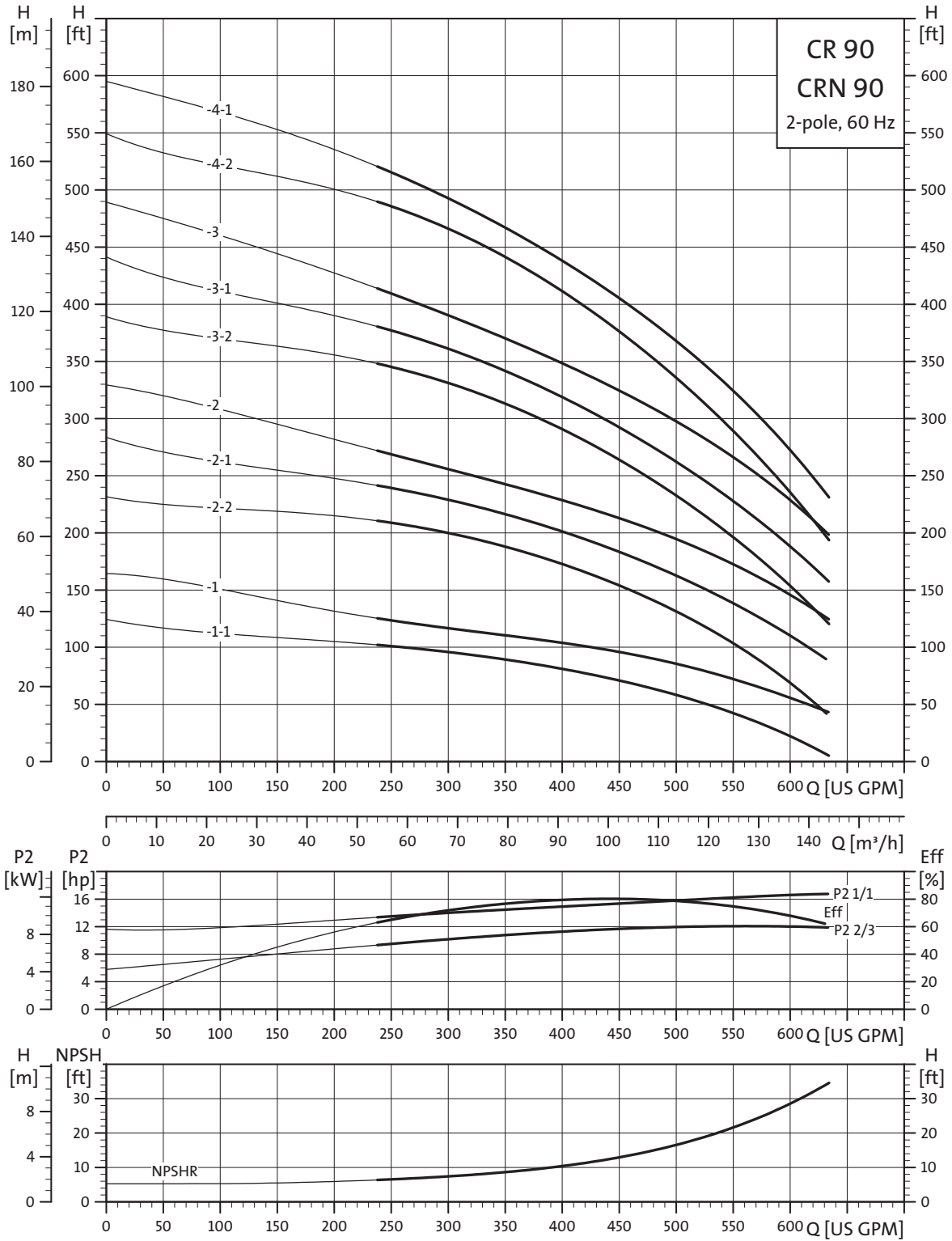
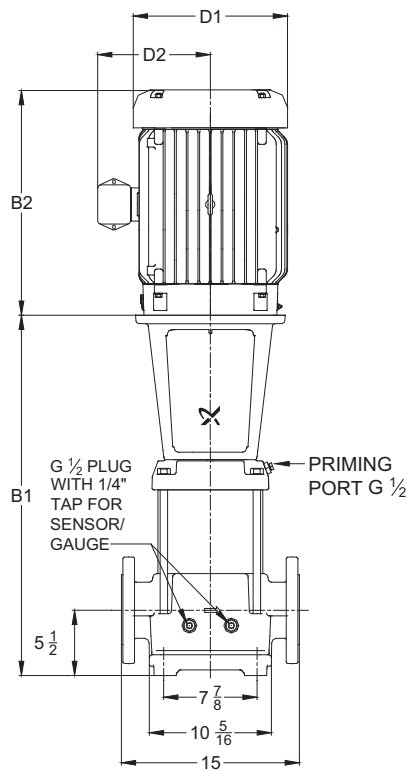


CR, CRN 90

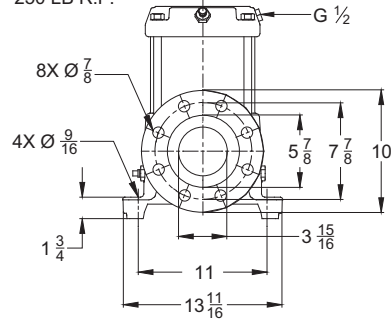


TM02 0042 1303



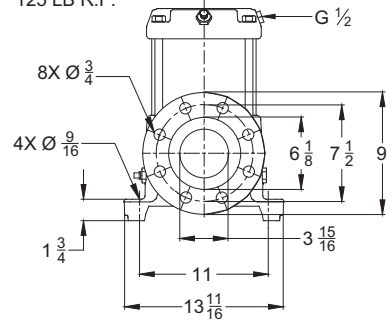
4-5 STAGES

4" ANSI
250 LB R.F.



1-3 STAGES

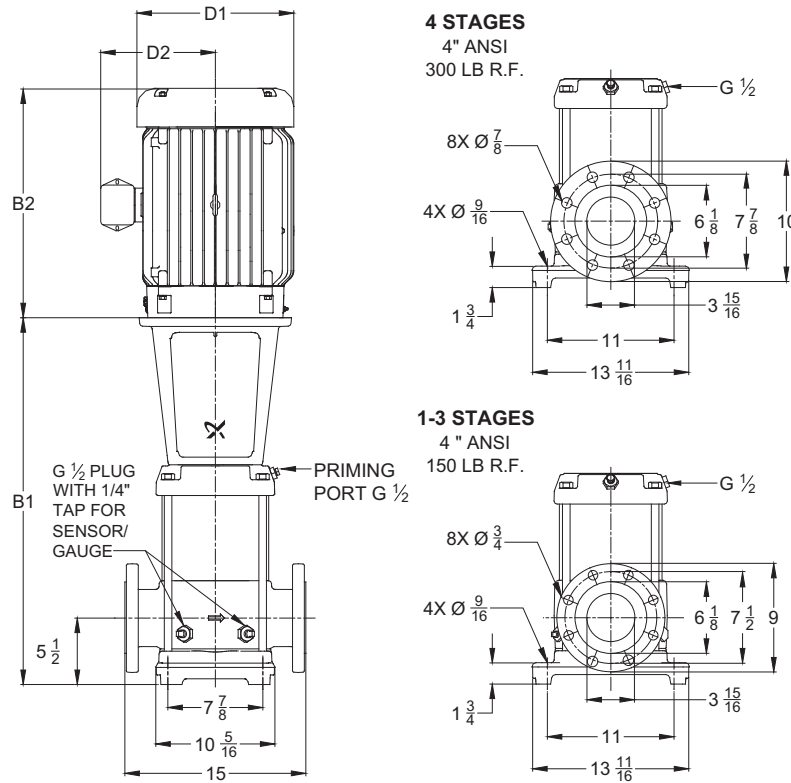
4" ANSI
125 LB R.F.



TM02 7702 3804

Pump type	P2 [hp]	Ph.	ANSI dimensions [inch]							Ship Wt. [lbs.]	ANSI dimensions [inch]			
			B1	TEFC			ODP				MLE			Ship Wt. [lbs.]
				D1	D2	B1+B2	D1	D2	B1+B2		D1	D2	B1+B2	
CR(E) 90-1-1	15	3	26.81	10.22	8.67	43.39	10.62	7.33	43.12	387	13.39	12.13	45.59	544
CR(E) 90-1	20	3	26.81	10.22	8.67	43.39	11.50	8.92	46.50	392	13.39	12.13	45.59	548
CR(E) 90-2-2	25	3	30.43	12.94	11.52	50.25	11.50	8.94	51.24	450	13.39	12.13	53.15	640
CR(E) 90-2-1	30	3	30.43	15.32	13.11	53.62	11.50	8.94	52.24	611	13.39	12.13	53.15	666
CR 90-2	40	3	30.43	15.32	13.11	53.62	13.25	12.21	53.68	625	-	-	-	-
CR 90-3-2	40	3	34.06	15.32	13.11	57.25	13.25	12.21	57.31	636	-	-	-	-
CR 90-3-1	50	3	34.06	16.88	14.12	61.87	13.25	12.21	56.81	667	-	-	-	-
CR 90-3	50	3	34.06	16.88	14.12	61.87	13.25	12.21	56.81	667	-	-	-	-
CR 90-4-2	60	3	37.68	19.00	14.90	68.47	15.12	13.19	63.81	869	-	-	-	-
CR 90-4-1	60	3	37.68	19.00	14.90	68.47	15.12	13.19	63.81	869	-	-	-	-

¹⁾ Weights are based on pump with TEFC motor (see price list for individual weights)
All dimensions in inches unless otherwise noted.



TM02 7706 3804

Pump type	P2 [hp]	Ph.	Dimensions [inch]							Ship Wt. [lbs.]	Dimensions [inch]			Ship Wt. [lbs.]
			B1	TEFC			ODP				MLE			
				D1	D2	B1+B2	D1	D2	B1+B2		D1	D2	B1+B2	
CRN(E) 90-1-1	15	3	26.81	10.22	8.67	43.39	10.62	7.33	43.12	393	13.39	12.13	45.59	549
CRN(E) 90-1	20	3	26.81	10.22	8.67	43.39	11.50	8.92	46.50	398	13.39	12.13	45.59	553
CRN(E) 90-2-2	25	3	30.43	12.94	11.52	50.25	11.50	8.94	51.24	455	13.39	12.13	53.15	645
CRN(E) 90-2-1	30	3	30.43	15.32	13.11	53.62	11.50	8.94	52.24	629	13.39	12.13	53.15	671
CRN 90-2	40	3	30.43	15.32	13.11	53.62	13.25	12.21	53.68	631	-	-	-	-
CRN 90-3-2	40	3	34.06	15.32	13.11	57.25	13.25	12.21	57.31	642	-	-	-	-
CRN 90-3-1	50	3	34.06	16.88	14.12	61.87	13.25	12.21	56.81	668	-	-	-	-
CRN 90-3	50	3	34.06	16.88	14.12	61.87	13.25	12.21	56.81	672	-	-	-	-
CRN 90-4-2	60	3	37.68	19.00	14.90	68.47	15.12	13.19	63.81	876	-	-	-	-
CRN 90-4-1	60	3	37.68	19.00	14.90	68.47	15.12	13.19	63.81	876	-	-	-	-

¹⁾ Weights are based on pump with TEFC motor (see price list for individual weights)
All dimensions in inches unless otherwise noted.