



## ELECTRONIC CAPACITY CONTROL

COMPACT & PRECISE CAPACITY CONTROL FOR THE MOST DEPENDABLE METERING PUMPS

### ELECTRONIC CONTROL FEATURES

- 100% duty cycle
- Superior Accuracy
- Compact electronic design
- Manual handwheel standard
- No clutches or brakes
- Severe duty design standard
- Local micrometer stroke indication
- Split signal capacity standard (field adjustable)
- Direct or reverse acting standard (field adjustable)
- Low maintenance design
- No overshoot or hunting
- Wall & panel mount remote controllers (w/indication) available

### ELECTRONIC CONTROL SPECIFICATIONS

#### Enclosure

- NEMA 4 (acceptable in Div. II area locations) (standard)
- EXPLOSION PROOF Factory Mutual Certified, Class I, Div. 1, Groups B, C, & D; CSA Certified Class I, Div. 1, Groups C & D; FM & CSA Certified Dust Ignition Proof, Class II, Div. 1, Groups E, F, & G (optional)

#### Electrical Input Power

- 1 phase, 50/60hz cycle, 115 VAC (standard)
- 1 phase, 50/60hz cycle, 220 VAC (optional)

#### Control Signal

- 4-20 mA (250 ohm load; split range 4-12, 12-20; direct or reverse acting)

#### Position Output Signal

- 1-5 VDC (standard); 4-20 mA (optional)

#### Accuracy

- ±0.5% or better

#### Duty Cycle

- 100%

#### Temperature

- 40°F to 120°F (-40°C to 50°C)

#### Travel Limits

- Electronic, factory set

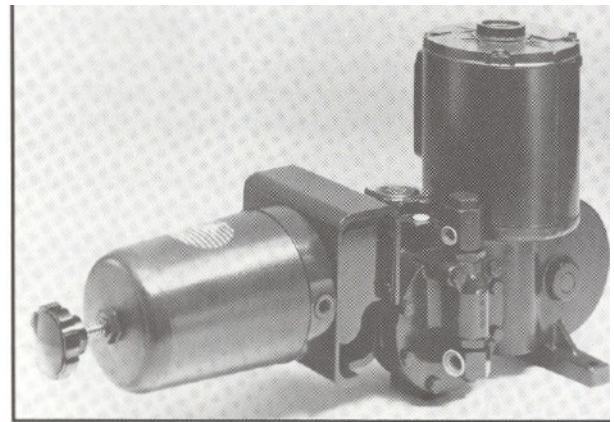
#### Manual unpowered operation

- Fluted handwheel

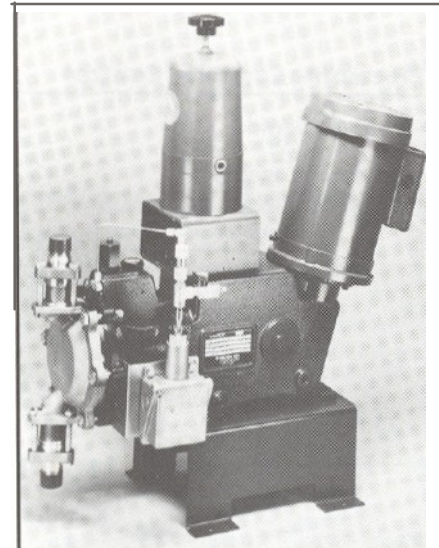
#### Materials

- Cover ..... Aluminum
- Housing ..... Aluminum
- Handwheel Shaft ..... Stainless Steel
- Handwheel ..... Plastic
- Stem Adaptor ..... Stainless Steel
- Mounting Bracket .... Steel

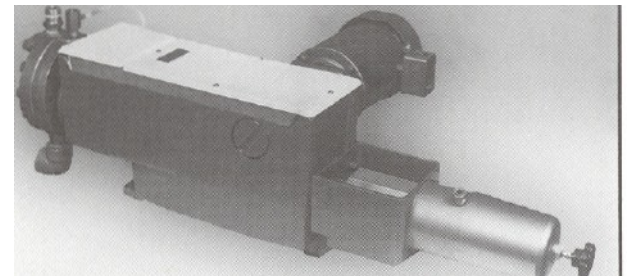
### MROY WITH ELECTRONIC CAPACITY CONTROL



### MAXROY WITH ELECTRONIC CAPACITY CONTROL



### MILROYAL B WITH ELECTRONIC CAPACITY CONTROL



ECC

PD 4121

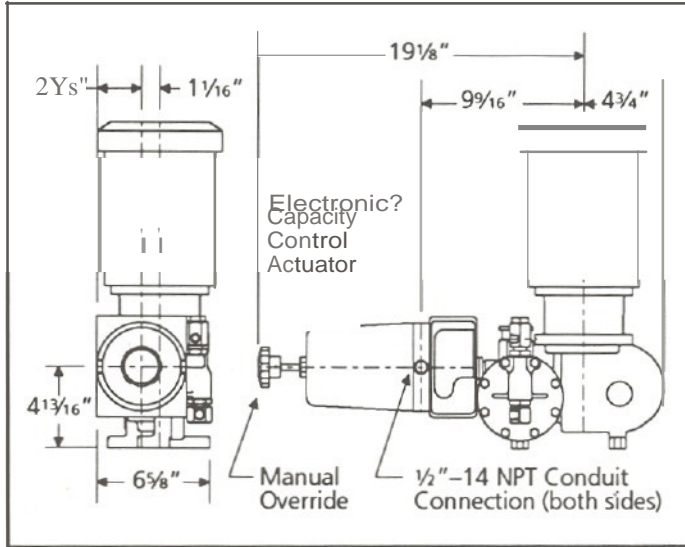
Effective 511198



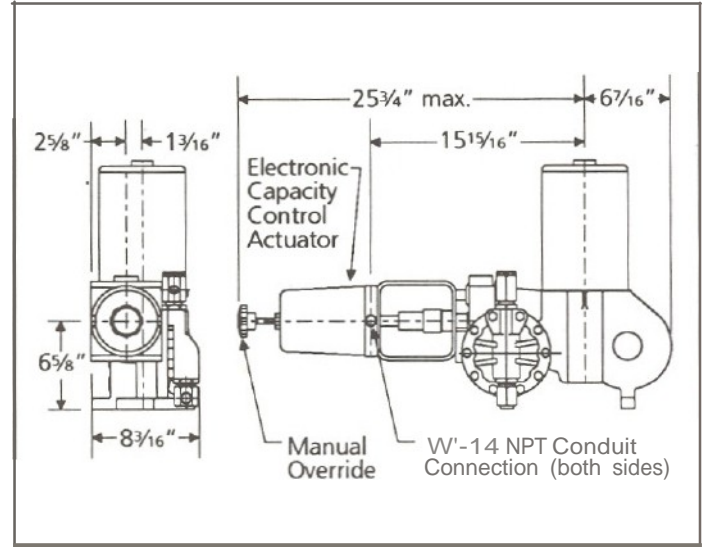
# MILTON ROY

## DIMENSIONS

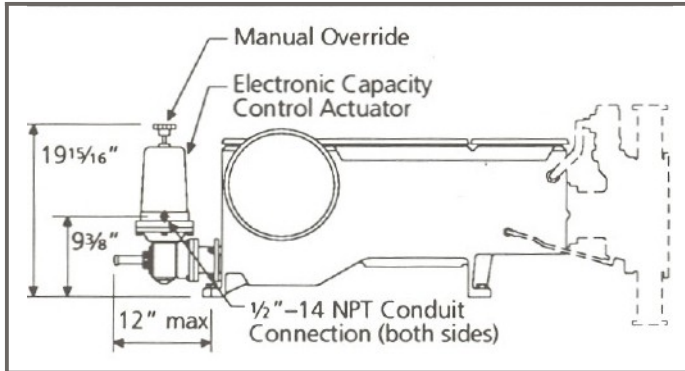
### mRoy A & P with Electronic Capacity Control



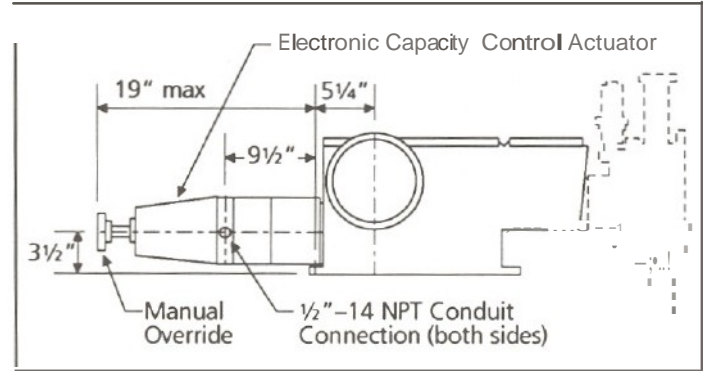
### mRoy B with Electronic Capacity Control



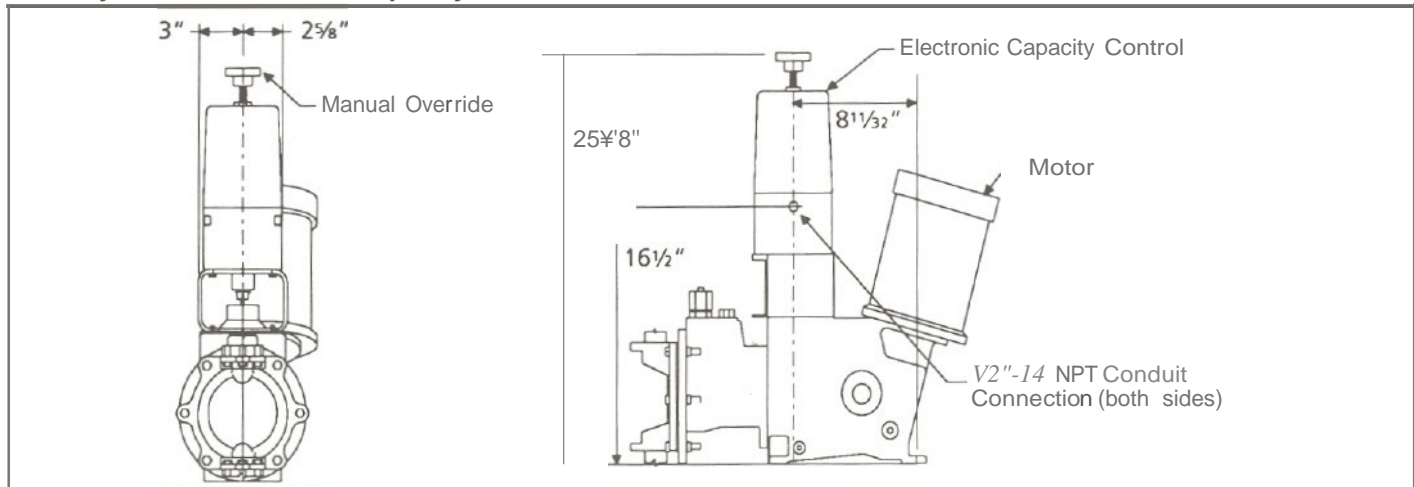
### Milroyal C with Electronic Capacity Control



### Milroyal B with Electronic Capacity Control



### maxRoy B with Electronic Capacity Control

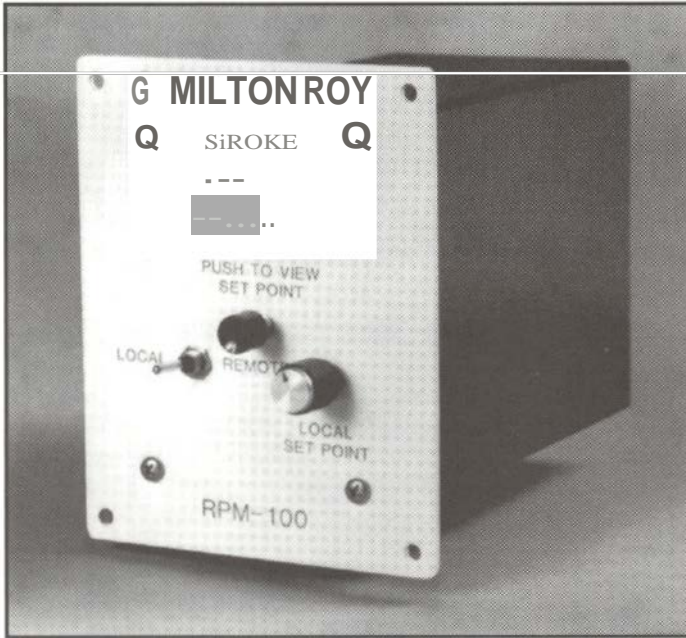


ECC



## REMOTE CONTROLS FOR MILTON ROY PUMP ELECTRONIC CAPACITY CONTROLS

### ARPM-100 (PANEL MOUNT) ARPM-:ZOO



### REMOTE CONTROL FEATURES

- Use as a remote actuator control and position display station.
- Local/Remote switch selects source of signal sent to actuator.
- Meter continuously shows current actuator position (0% to 100%).
- Pushbutton allows display of signal being sent to actuator.
- Can be field selected to work with split-range and reverse acting applications such as pH control.
- Used for "hand-auto" control of ECC.

### SPECIFICATIONS

#### Power

-100 115 VAC, 60 Hz, 1.0 amp max.

-200 230 VAC, 60 Hz, .5 amp max. (optional)

#### Remote Signal Input

Analog (4-20 mA) or Split Range (4-12 mA, 12-20 mA)

Direct or Reverse Acting

1-5 VOC

#### Actuator Feedback Signal Input

Analog (1-5 V) or Split Range (1-3 V, 3-5 V)

Direct or Reverse Acting

#### Control Signal Outputs

Analog (4-20 mA) or Split Range (4-12 mA, 12-20 mA)

Direct or Reverse Acting

#### Ambient Temperature

-40°F to 120°F

#### Enclosure

ARPM has metal NEMA 1 enclosure for panel mounting;  
ARWM has fiberglass reinforced polyester NEMA 4X enclosure  
for wall mounting

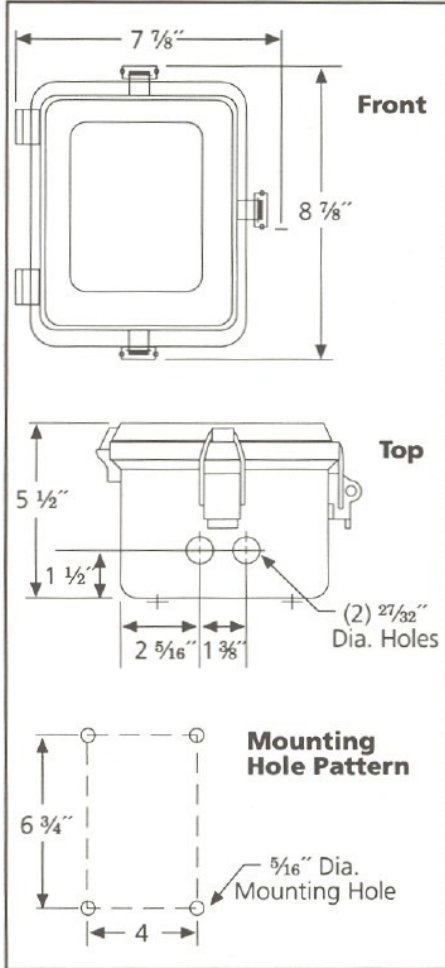
### ARWM-100 (WALL MOUNT) NEMA 4X ARWM-:ZOO



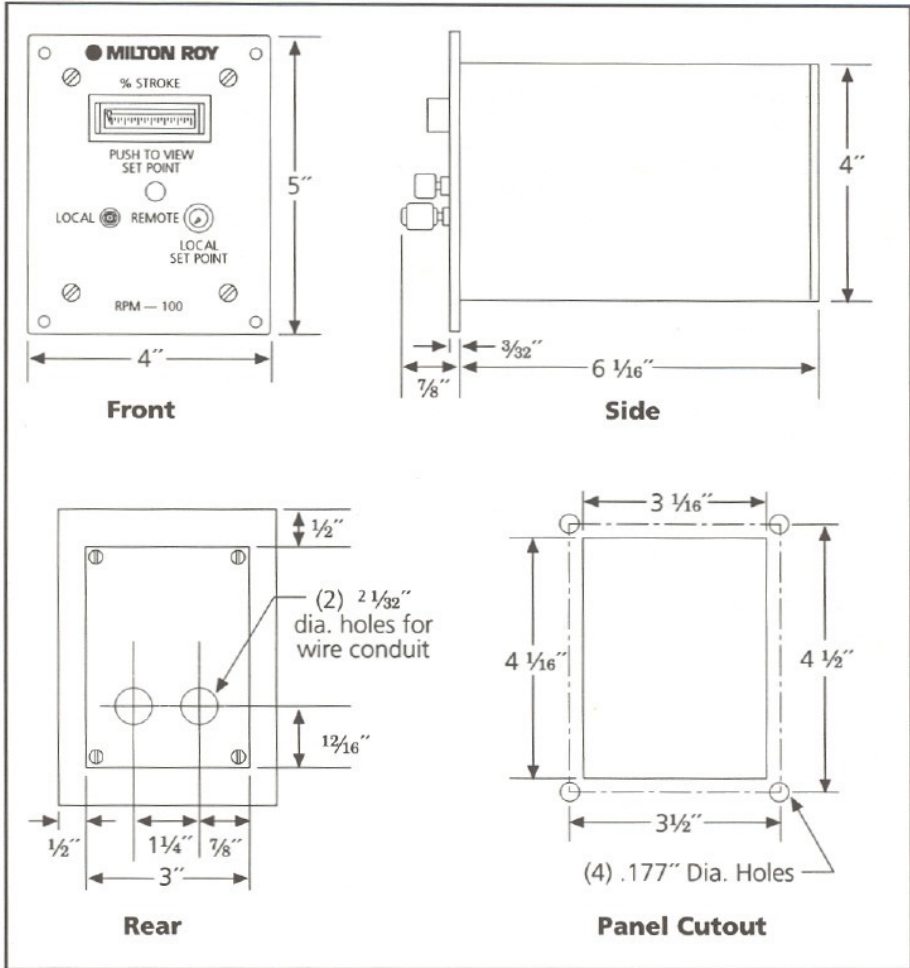


**DIMENSIONS**

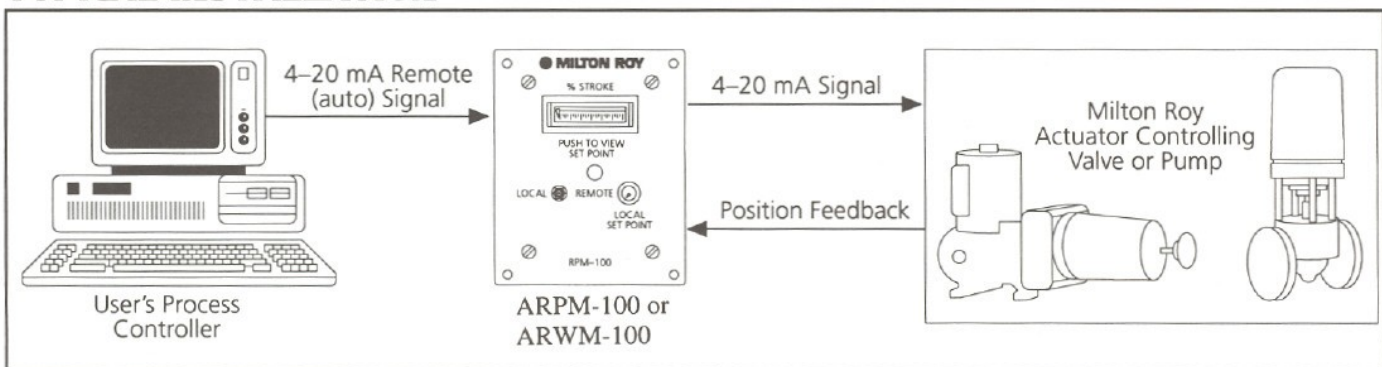
**RWM-100 (Wall Mount) NEMA 4X**



**ARPM-100 (Panel Mount) NEMA 1**



**TYPICAL INSTALLATION**



*All information contained herein subject to change without notice.*

