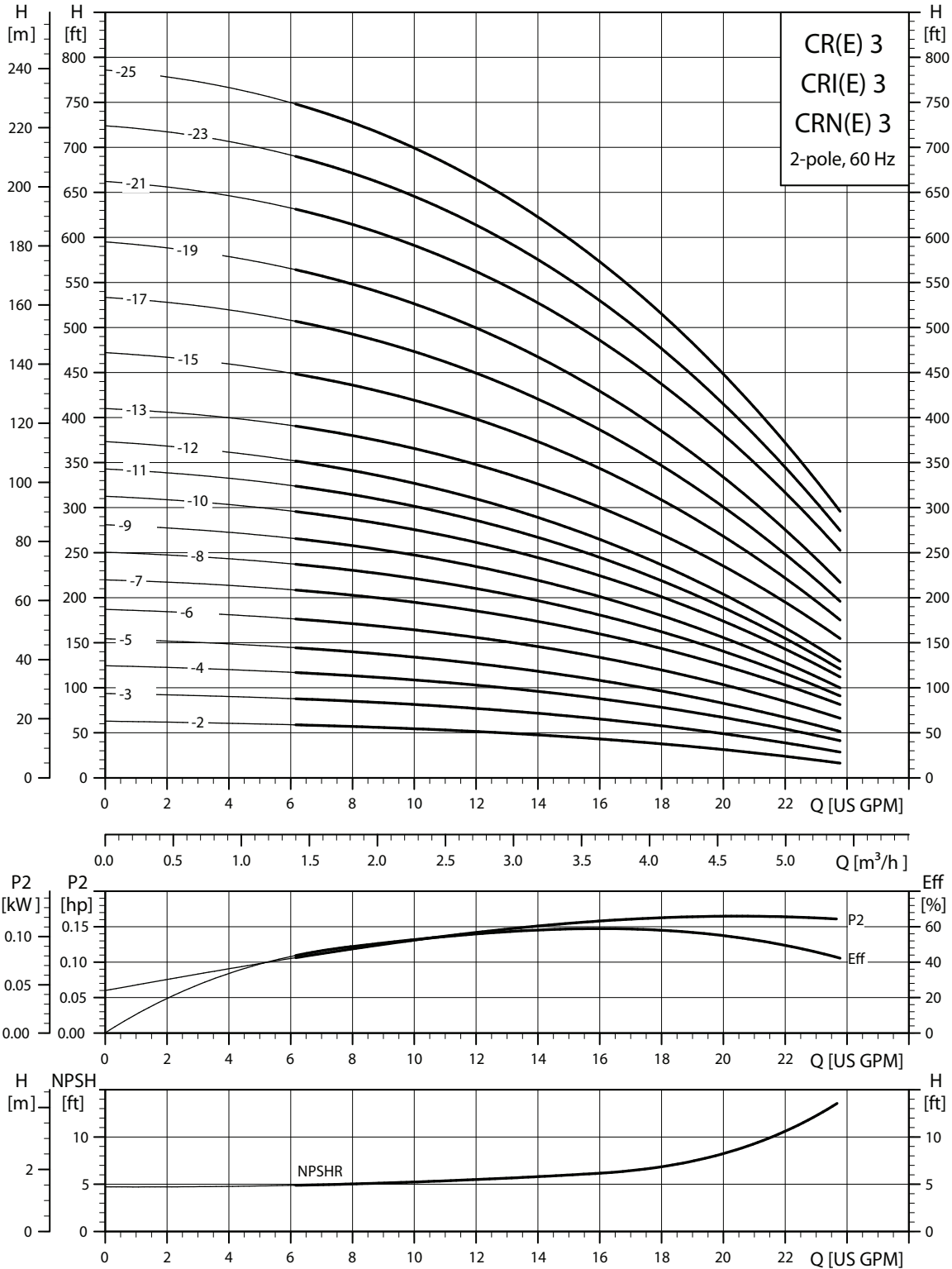
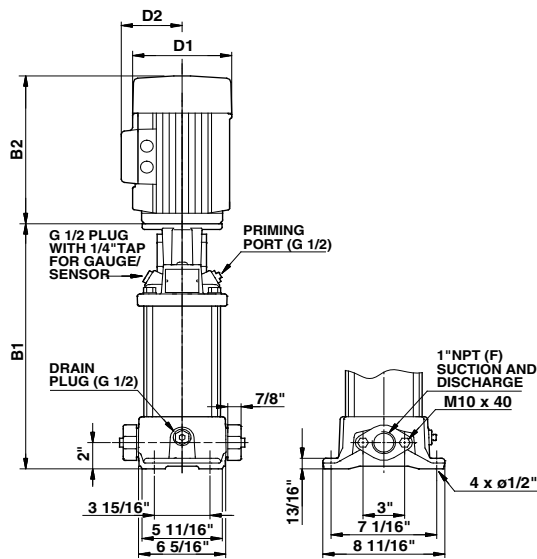


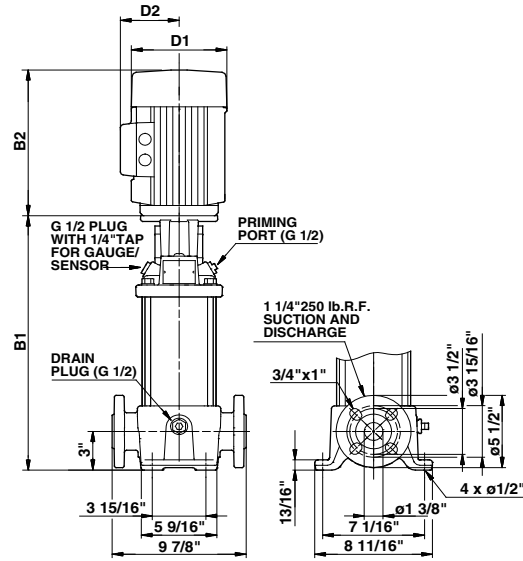
CR(E), CRI(E), CRN(E) 3



TM02 4084 1303



TM03 1450 2205



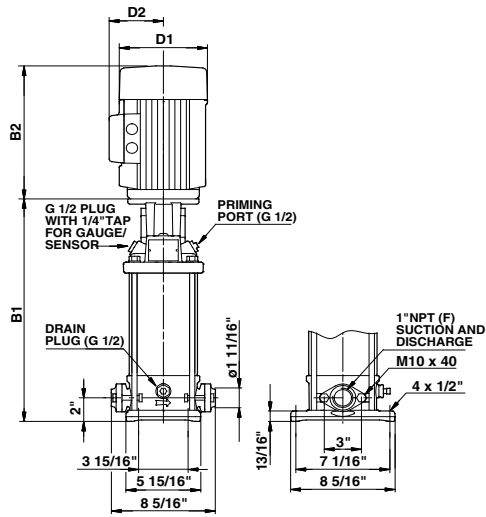
TM03 1451 2205

Pump type	P2 [hp]	Ph.	Oval*	ANSI dimensions [inch]					Ship Wt. [lbs.]	ANSI dimensions [inch]			
				B1	TEFC			Ship Wt. [lbs.]		MLE			Ship Wt. [lbs.]
					D1	D2	B1+B2			D1	D2	B1+B2	
CR(E) 3-2	1/3	1	•	11.97	6.19	5.18	21.26	69	5.55	5.51	19.39	69	
		3	•	11.97	5.55	4.57	19.41	67	-	-	-	-	
CR 3-3	1/2	1	•	11.97	6.19	5.18	21.26	73	-	-	-	-	
		3	•	11.97	5.55	4.57	19.41	67	-	-	-	-	
CR(E) 3-4	3/4	1	•	12.68	6.19	5.18	22.59	78	5.55	5.51	20.10	72	
		3	•	12.68	5.55	4.57	20.12	69	-	-	-	-	
CR(E) 3-5	3/4	1	•	13.39	6.19	5.18	23.30	79	5.55	5.51	22.37	73	
		3	•	13.39	5.55	4.57	20.83	70	-	-	-	-	
CR(E) 3-6	1	1	•	14.09	7.19	5.73	25.28	91	-	-	-	-	
		3	•	14.09	5.55	4.57	21.53	71	7.01	6.57	26.89	90	
CR 3-7	1 1/2	1	•	14.80	7.19	5.73	26.48	95	-	-	-	-	
		3	•	14.80	5.55	4.57	23.42	72	-	-	-	-	
CR(E) 3-8	1 1/2	1	•	15.51	7.19	5.73	27.19	96	5.55	5.51	24.49	81	
		3	•	15.51	5.55	4.57	24.13	73	-	-	-	-	
CR(E) 3-9	1 1/2	1	•	16.22	7.19	5.73	27.90	97	-	-	-	-	
		3	•	16.22	5.55	4.57	24.84	74	7.01	6.57	29.02	99	
CR 3-10	2	1	•	16.93	7.19	5.73	29.49	109	-	-	-	-	
		3	•	16.93	7.01	4.33	28.15	96	-	-	-	-	
CR 3-11	2	1	•	17.64	7.19	5.73	30.20	110	-	-	-	-	
		3	•	17.64	7.01	4.33	28.86	101	-	-	-	-	
CR(E) 3-12	2	1	•	18.35	7.19	5.73	30.91	111	-	-	-	-	
		3	•	18.35	7.01	4.33	29.57	102	7.01	6.57	31.15	115	
CR 3-13	3	1	•	20.16	8.60	6.87	34.81	147	-	-	-	-	
		3	•	20.16	7.01	4.33	33.39	118	-	-	-	-	
CR(E) 3-15	3	1	•	21.57	8.60	6.87	36.22	149	-	-	-	-	
		3	•	21.57	7.01	4.33	34.80	120	7.01	6.57	34.88	128	
CR(E) 3-17	3	1	•	22.99	8.60	6.87	37.64	150	-	-	-	-	
		3	•	22.99	7.01	4.33	36.22	121	7.01	6.57	36.30	130	
CR 3-19	5	1	-	24.41	10.62	7.46	39.93	179	-	-	-	-	
		3	-	24.41	8.66	5.28	39.92	175	-	-	-	-	
CR 3-21	5	1	-	25.83	10.62	7.46	41.35	181	-	-	-	-	
		3	-	25.83	8.66	5.28	41.34	177	-	-	-	-	
CR 3-23	5	1	-	27.24	10.62	7.46	42.76	182	-	-	-	-	
		3	-	27.24	8.66	5.28	42.75	179	-	-	-	-	
CR(E) 3-25	5	1	-	28.66	10.62	7.46	44.18	184	-	-	-	-	
		3	-	28.66	8.66	5.28	44.17	181	8.66	7.40	44.17	172	

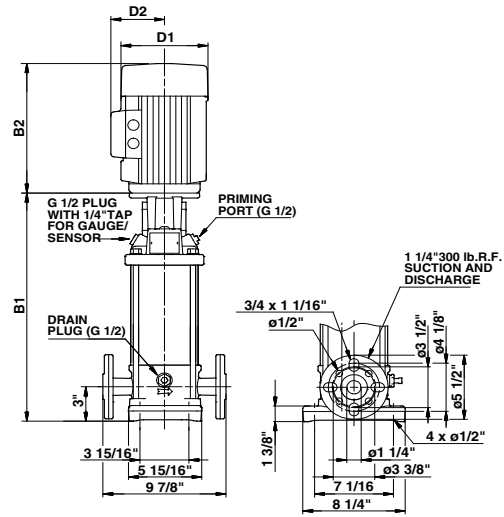
All dimensions in inches unless otherwise noted.

*Oval flanged pump B1 and B1+B2 dimension is one inch less than ANSI flanged pump and weight is approximately 9 lbs. less.

• Available.



TM03 1452 2205



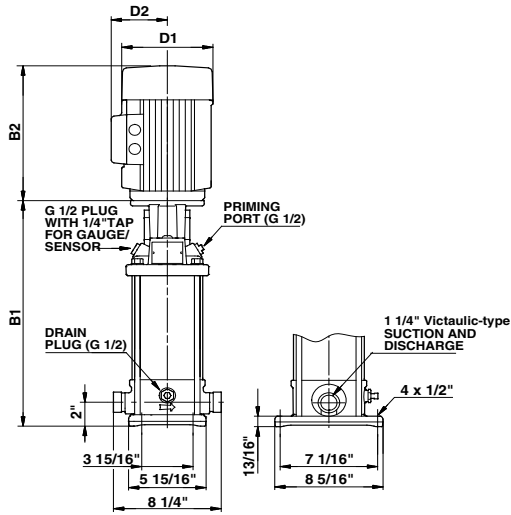
TM03 1453 2205

Pump type	P2 [hp]	Ph.	Oval*	ANSI dimensions [inch]				Ship Wt. [lbs.]	ANSI dimensions [inch]			
				B1	TEFC				MLE			Ship Wt. [lbs.]
					D1	D2	B1+B2		D1	D2	B1+B2	
CRI(E) 3-2	1/3	1	•	12.09	6.19	5.18	21.38	64	5.55	5.51	19.51	63
		3	•	12.09	5.55	4.57	19.53	62	-	-	-	-
CRI 3-3	1/2	1	•	12.09	6.19	5.18	21.38	67	-	-	-	-
		3	•	12.09	5.55	4.57	19.53	62	-	-	-	-
CRI(E) 3-4	3/4	1	•	12.80	6.19	5.18	22.71	73	5.55	5.51	20.22	67
		3	•	12.80	5.55	4.57	20.24	63	-	-	-	-
CRI(E) 3-5	3/4	1	•	13.50	6.19	5.18	23.41	74	5.55	5.51	22.48	68
		3	•	13.50	5.55	4.57	20.94	65	-	-	-	-
CRI(E) 3-6	1	1	•	14.21	7.19	5.73	25.40	86	-	-	-	-
		3	•	14.21	5.55	4.57	21.65	65	7.01	6.57	27.01	85
CRI 3-7	1 1/2	1	•	14.92	7.19	5.73	26.60	90	-	-	-	-
		3	•	14.92	5.55	4.57	23.54	67	-	-	-	-
CRI(E) 3-8	1 1/2	1	•	15.63	7.19	5.73	27.31	91	5.55	5.51	24.61	76
		3	•	15.63	5.55	4.57	24.25	68	-	-	-	-
CRI(E) 3-9	1 1/2	1	•	16.34	7.19	5.73	28.02	92	-	-	-	-
		3	•	16.34	5.55	4.57	24.96	69	7.01	6.57	29.14	93
CRI 3-10	2	1	•	17.05	7.19	5.73	29.61	104	-	-	-	-
		3	•	17.05	7.01	4.33	28.27	91	-	-	-	-
CRI 3-11	2	1	•	17.76	7.19	5.73	30.32	105	-	-	-	-
		3	•	17.76	7.01	4.33	28.98	95	-	-	-	-
CRI(E) 3-12	2	1	•	18.46	7.19	5.73	31.02	106	-	-	-	-
		3	•	18.46	7.01	4.33	29.68	96	7.01	6.57	31.26	109
CRI 3-13	3	1	•	20.28	8.60	6.87	34.93	140	-	-	-	-
		3	•	20.28	7.01	4.33	33.51	111	-	-	-	-
CRI(E) 3-15	3	1	•	21.69	8.60	6.87	36.34	142	-	-	-	-
		3	•	21.69	7.01	4.33	34.92	113	7.01	6.57	35.00	-
CRI(E) 3-17	3	1	•	23.11	8.60	6.87	37.76	143	-	-	-	-
		3	•	23.11	7.01	4.33	36.34	114	7.01	6.57	36.42	121
CRI 3-19	5	1	-	24.53	10.62	7.46	40.05	172	-	-	-	-
		3	-	24.53	8.66	5.28	40.04	168	-	-	-	-
CRI 3-21	5	1	-	25.94	10.62	7.46	41.46	174	-	-	-	-
		3	-	25.94	8.66	5.28	41.45	170	-	-	-	-
CRI 3-23	5	1	-	27.36	10.62	7.46	42.88	175	-	-	-	-
		3	-	27.36	8.66	5.28	42.87	172	-	-	-	-
CRI(E) 3-25	5	1	-	28.78	10.62	7.46	44.30	177	-	-	-	-
		3	-	28.78	8.66	5.28	44.29	174	8.66	7.40	44.29	165

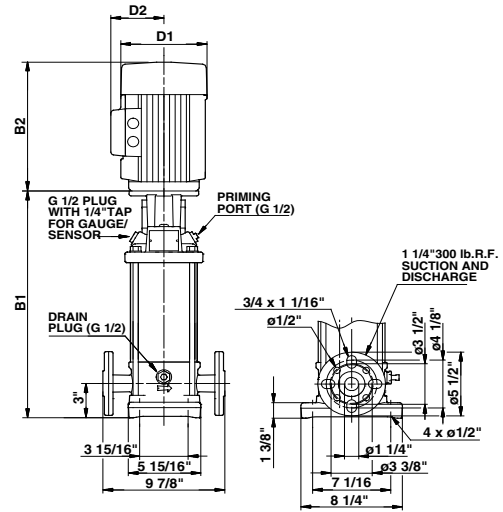
All dimensions in inches unless otherwise noted.

*Oval flanged pump B1 and B1+B2 dimension is one inch less than ANSI flanged pump and weight is approximately 9 lbs. less.

• Available.



TM03 1454 2205



TM03 1453 2205

Pump type	P2 [hp]	Ph.	PJE*	ANSI dimensions [inch]				Ship Wt. [lbs.]	ANSI dimensions [inch]						
				B1	TEFC				D1	D2	B1+B2	MLE			Ship Wt. [lbs.]
					D1	D2	B1+B2					D1	D2	B1+B2	
CRN(E) 3-2	1/3	1	•	12.09	6.19	5.18	21.38	64	5.55	5.51	19.51	63			
		3	•	12.09	5.55	4.57	19.53	62	-	-	-	-			
CRN 3-3	1/2	1	•	12.09	6.19	5.18	21.38	67	-	-	-	-			
		3	•	12.09	5.55	4.57	19.53	62	-	-	-	-			
CRN(E) 3-4	3/4	1	•	12.80	6.19	5.18	22.71	73	5.55	5.51	20.22	67			
		3	•	12.80	5.55	4.57	20.24	63	-	-	-	-			
CRN(E) 3-5	3/4	1	•	13.50	6.19	5.18	23.41	73	5.55	5.51	22.48	68			
		3	•	13.50	5.55	4.57	20.94	64	-	-	-	-			
CRN(E) 3-6	1	1	•	14.21	7.19	5.73	25.40	86	-	-	-	-			
		3	•	14.21	5.55	4.57	21.65	65	7.01	6.57	27.01	85			
CRN 3-7	1 1/2	1	•	14.92	7.19	5.73	26.60	90	-	-	-	-			
		3	•	14.92	5.55	4.57	23.54	67	-	-	-	-			
CRN(E) 3-8	1 1/2	1	•	15.63	7.19	5.73	27.31	91	5.55	5.51	24.61	76			
		3	•	15.63	5.55	4.57	24.25	68	-	-	-	-			
CRN(E) 3-9	1 1/2	1	•	16.34	7.19	5.73	28.02	92	-	-	-	-			
		3	•	16.34	5.55	4.57	24.96	69	7.01	6.57	29.14	93			
CRN 3-10	2	1	•	17.05	7.19	5.73	29.61	104	-	-	-	-			
		3	•	17.05	7.01	4.33	28.27	91	-	-	-	-			
CRN 3-11	2	1	•	17.76	7.19	5.73	30.32	105	-	-	-	-			
		3	•	17.76	7.01	4.33	28.98	95	-	-	-	-			
CRN(E) 3-12	2	1	•	18.46	7.19	5.73	31.02	106	-	-	-	-			
		3	•	18.46	7.01	4.33	29.68	96	7.01	6.57	31.26	109			
CRN 3-13	3	1	•	20.28	8.60	6.87	34.93	139	-	-	-	-			
		3	•	20.28	7.01	4.33	33.51	110	-	-	-	-			
CRN(E) 3-15	3	1	•	21.69	8.60	6.87	36.34	142	-	-	-	-			
		3	•	21.69	7.01	4.33	34.92	112	7.01	6.57	35.00	-			
CRN(E) 3-17	3	1	•	23.11	8.60	6.87	37.76	143	-	-	-	-			
		3	•	23.11	7.01	4.33	36.34	114	7.01	6.57	36.42	121			
CRN 3-19	5	1	•	24.53	10.62	7.46	40.05	172	-	-	-	-			
		3	•	24.53	8.66	5.28	40.04	168	-	-	-	-			
CRN 3-21	5	1	•	25.94	10.62	7.46	41.46	174	-	-	-	-			
		3	•	25.94	8.66	5.28	41.45	170	-	-	-	-			
CRN 3-23	5	1	•	27.36	10.62	7.46	42.88	175	-	-	-	-			
		3	•	27.36	8.66	5.28	42.87	171	-	-	-	-			
CRN(E) 3-25	5	1	•	28.78	10.62	7.46	44.30	177	-	-	-	-			
		3	•	28.78	8.66	5.28	44.29	173	8.66	7.40	44.29	165			

All dimensions in inches unless otherwise noted.

*PJE flanged pump B1 and B1+B2 dimension is one inch less than ANSI flanged pump and weight is approximately 9 lbs. less.

• Available.