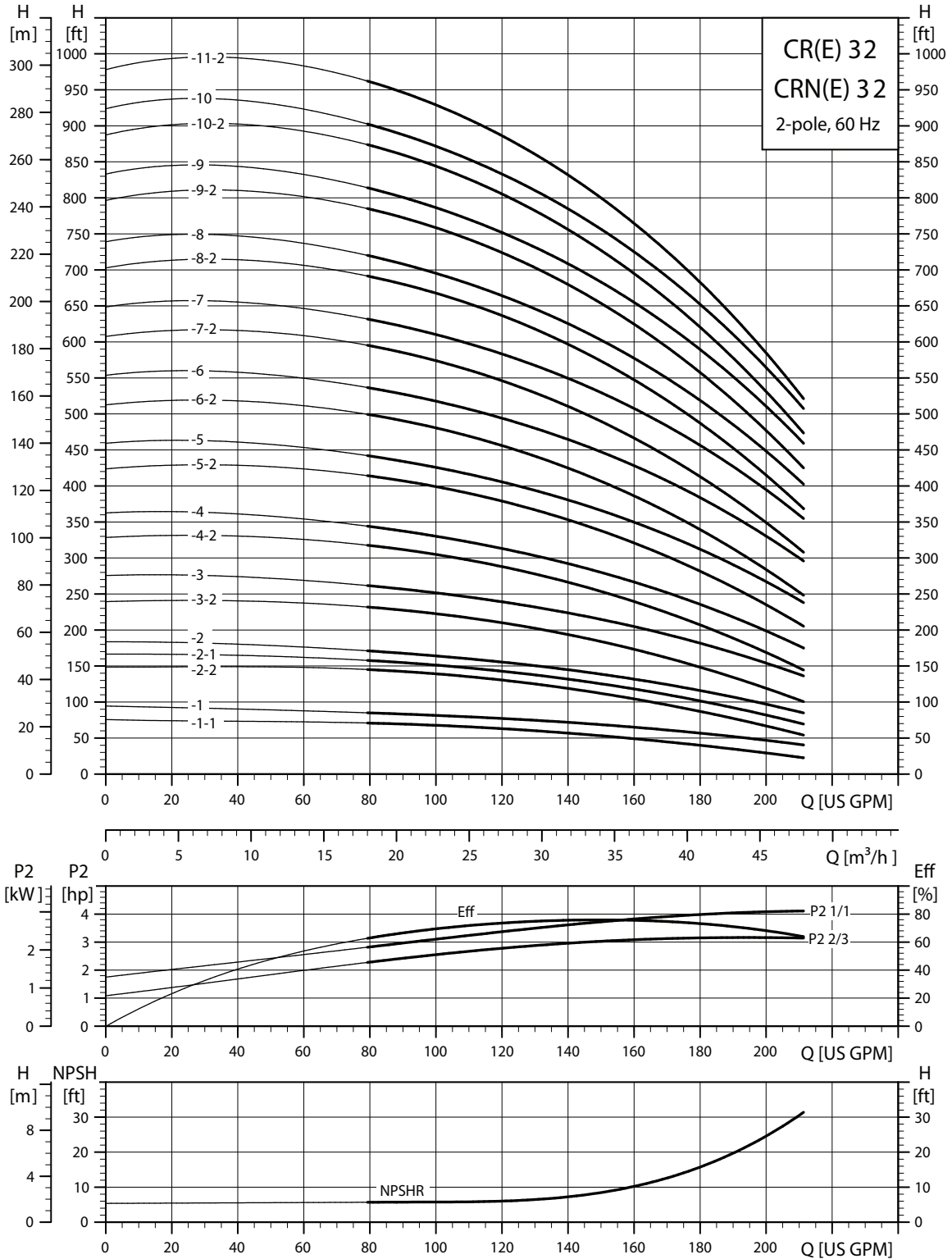
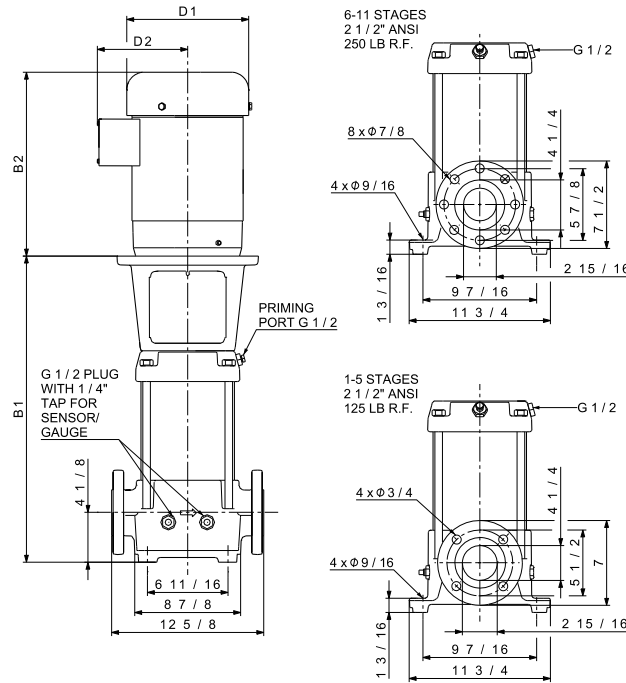


CR(E), CRN(E) 32



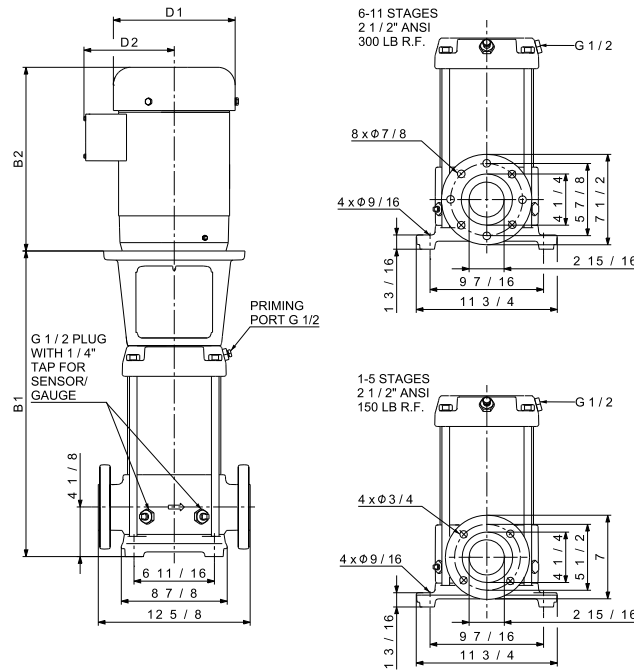
TM02 0039 1303



TM02 7699 1009

Pump type	P2 [hp]	Ph.	ANSI dimensions [inch]						Ship Wt. [lbs.]	ANSI dimensions [inch]			Ship Wt. [lbs.]	
			B1	TEFC			ODP			MLE				
				D1	D2	B1+B2	D1	D2		B1+B2	D1	D2		B1+B2
CR 32-1-1	5	1	20.08	10.62	7.46	35.60	-	-	-	240	-	-	-	-
		3	19.88	8.66	5.28	35.39	-	-	-	218	-	-	-	-
CR(E) 32-1	5	1	20.08	10.62	7.46	35.60	-	-	-	228	-	-	-	-
		3	19.88	8.66	5.28	35.39	-	-	-	218	8.66	7.40	35.39	210
CR 32-2-2	7 1/2	1	22.83	10.22	7.62	38.36	-	-	-	245	-	-	-	-
		3	22.64	8.66	5.28	38.15	-	-	-	229	-	-	-	-
CR(E) 32-2-1	7 1/2	1	22.83	10.22	7.62	38.36	-	-	-	245	-	-	-	-
		3	22.64	8.66	5.28	38.15	-	-	-	229	8.66	7.40	38.15	242
CR 32-2	10	1	22.83	10.23	10.30	38.90	-	-	-	300	-	-	-	-
		3	22.64	8.66	5.28	38.15	-	-	-	229	-	-	-	-
CR(E) 32-3-2	10	1	25.59	10.23	10.30	41.66	-	-	-	295	-	-	-	-
		3	25.39	8.66	5.28	40.90	-	-	-	236	10.24	8.39	40.31	256
CR 32-3	15	3	29.72	10.22	8.67	46.30	10.62	7.33	46.03	361	-	-	-	-
CR(E) 32-4-2	15	3	32.48	10.22	8.67	49.06	10.62	7.33	48.79	368	13.39	12.13	51.26	541
CR 32-4	20	3	32.48	10.22	8.67	49.06	11.50	8.92	52.17	373	-	-	-	-
CR(E) 32-5-2	20	3	35.24	10.22	8.67	51.82	11.50	8.92	54.93	380	13.39	12.13	54.02	552
CR(E) 32-5	20	3	35.24	10.22	8.67	51.82	11.50	8.92	54.93	380	13.39	12.13	54.02	552
CR 32-6-2	25	3	37.99	12.94	11.52	57.81	11.50	8.94	58.80	434	-	-	-	-
CR(E) 32-6	25	3	37.99	12.94	11.52	57.81	11.50	8.94	58.80	434	13.39	12.13	60.71	624
CR 32-7-2	30	3	40.75	15.32	13.11	63.94	11.50	8.94	62.56	623	-	-	-	-
CR(E) 32-7	30	3	40.75	15.32	13.11	63.94	11.50	8.94	62.56	602	13.39	12.13	63.47	657
CR(E) 32-8-2	30	3	43.5	15.32	13.11	66.69	11.50	8.94	65.31	615	13.39	12.13	66.22	670
CR 32-8	40	3	43.5	15.32	13.11	66.69	13.25	12.21	66.75	631	-	-	-	-
CR 32-9-2	40	3	46.26	15.32	13.11	69.45	13.25	12.21	69.51	637	-	-	-	-
CR 32-9	40	3	46.26	15.32	13.11	69.45	13.25	12.21	69.51	637	-	-	-	-
CR 32-10-2	40	3	49.02	15.32	13.11	72.21	13.25	12.21	72.27	645	-	-	-	-
CR 32-10	40	3	49.02	15.32	13.11	72.21	13.25	12.21	72.27	645	-	-	-	-
CR 32-11-2	50	3	51.77	16.88	14.12	79.58	13.25	12.21	74.52	671	-	-	-	-

¹⁾ Weights are based on pump with TEFC motor (see price list for individual weights).
All dimensions in inches unless otherwise noted.



TM02 7703 1009

Pump type	P2 [hp]	Ph.	ANSI dimensions [inch]						Ship Wt. [lbs.]	ANSI dimensions [inch]			Ship Wt. [lbs.]	
			B1	TEFC			ODP			MLE				
				D1	D2	B1+B2	D1	D2		B1+B2	D1	D2		B1+B2
CRN 32-1-1	5	1	20.08	10.62	7.46	35.60	-	-	-	245	-	-	-	-
		3	19.88	8.66	5.28	35.39	-	-	-	223	-	-	-	-
CRN(E) 32-1	5	1	20.08	10.62	7.46	35.60	-	-	-	233	-	-	-	-
		3	19.88	8.66	5.28	35.39	-	-	-	223	8.66	7.40	35.39	214
CRN 32-2-2	7 1/2	1	22.83	10.22	7.62	38.36	-	-	-	250	-	-	-	-
		3	22.64	8.66	5.28	38.15	-	-	-	234	-	-	-	-
CRN(E) 32-2-1	7 1/2	1	22.83	10.22	7.62	38.36	-	-	-	250	-	-	-	-
		3	22.64	8.66	5.28	38.15	-	-	-	234	8.66	7.40	38.15	247
CRN 32-2	10	1	22.83	10.23	10.30	38.90	-	-	-	305	-	-	-	-
		3	22.64	8.66	5.28	38.15	-	-	-	234	-	-	-	-
CRN(E) 32-3-2	10	1	25.59	10.23	10.30	41.66	-	-	-	300	-	-	-	-
		3	25.39	8.66	5.28	40.90	-	-	-	241	10.24	8.39	40.31	259
CRN 32-3	15	3	29.72	10.22	8.67	46.30	10.62	7.33	46.03	366	-	-	-	-
CRN(E) 32-4-2	15	3	32.48	10.22	8.67	49.06	10.62	7.33	48.79	372	13.39	12.13	51.26	546
CRN 32-4	20	3	32.48	10.22	8.67	49.06	11.50	8.92	52.17	377	-	-	-	-
CRN(E) 32-5-2	20	3	35.24	10.22	8.67	51.82	11.50	8.92	54.93	384	13.39	12.13	54.02	556
CRN(E) 32-5	20	3	35.24	10.22	8.67	51.82	11.50	8.92	54.93	384	13.39	12.13	54.02	556
CRN 32-6-2	25	3	37.99	12.94	11.52	57.81	11.50	8.94	58.80	438	-	-	-	-
CRN(E) 32-6	25	3	37.99	12.94	11.52	57.81	11.50	8.94	58.80	438	13.39	12.13	60.71	628
CRN 32-7-2	30	3	40.75	15.32	13.11	63.94	11.50	8.94	62.56	627	-	-	-	-
CRN(E) 32-7	30	3	40.75	15.32	13.11	63.94	11.50	8.94	62.56	606	13.39	12.13	63.47	661
CRN(E) 32-8-2	30	3	43.5	15.32	13.11	66.69	11.50	8.94	65.31	619	13.39	12.13	66.22	674
CRN 32-8	40	3	43.5	15.32	13.11	66.69	13.25	12.21	66.75	635	-	-	-	-
CRN 32-9-2	40	3	46.26	15.32	13.11	69.45	13.25	12.21	69.51	641	-	-	-	-
CRN 32-9	40	3	46.26	15.32	13.11	69.45	13.25	12.21	69.51	641	-	-	-	-
CRN 32-10-2	40	3	49.02	15.32	13.11	72.21	13.25	12.21	72.27	648	-	-	-	-
CRN 32-10	40	3	49.02	15.32	13.11	72.21	13.25	12.21	72.27	648	-	-	-	-
CRN 32-11-2	50	3	51.77	16.88	14.12	79.58	13.25	12.21	74.52	674	-	-	-	-

¹⁾ Weights are based on pump with TEFC motor (see price list for individual weights)
All dimensions in inches unless otherwise noted.